



Main features

- FLAT-body design
- Good linearity
- Designed integrate into machine

Pancake like diaphragm load cell designed for the use in Fully electric Injection Molding Machines.

The Flat-Body design allows for easy integration into the injection unit without adding to the machine length.

TECHNICAL DATA

Strain gauge type	Foil (GF = 2.0)
Measuring range	60...650kN
Low-pass filter	700 Hz
Output signal	0...±10VDC, 4...20mA
Noise	< 10mV
Accuracy	< ± 1% FS
Accuracy of zero point	< ± 0.1% FS
Linearity	< ± 0.6% FS
Hysteresis	< ± 0.6% FS
Repeatability	< ± 0.2% FS
Output resistance	0Ω
Reset time	> 25ms
Reset voltage	15...28VDC, 0VDC
Supply voltage	20...28VDC
Supply current	<60mA
Inverse polarity protection	Yes
Accidental short-circuit protection	Yes
Operating temperature range	0...70°C
Storage temperatur range	0...70°C
Temperature effect on zero balance @ 10°C	0.15%
Temperature effect on output @ 10°C	0.15%
Maximum applicable load	150%
Rupture load	>200%
Protection class	IP54
EMC	2014/30/EU
Case material	Steel

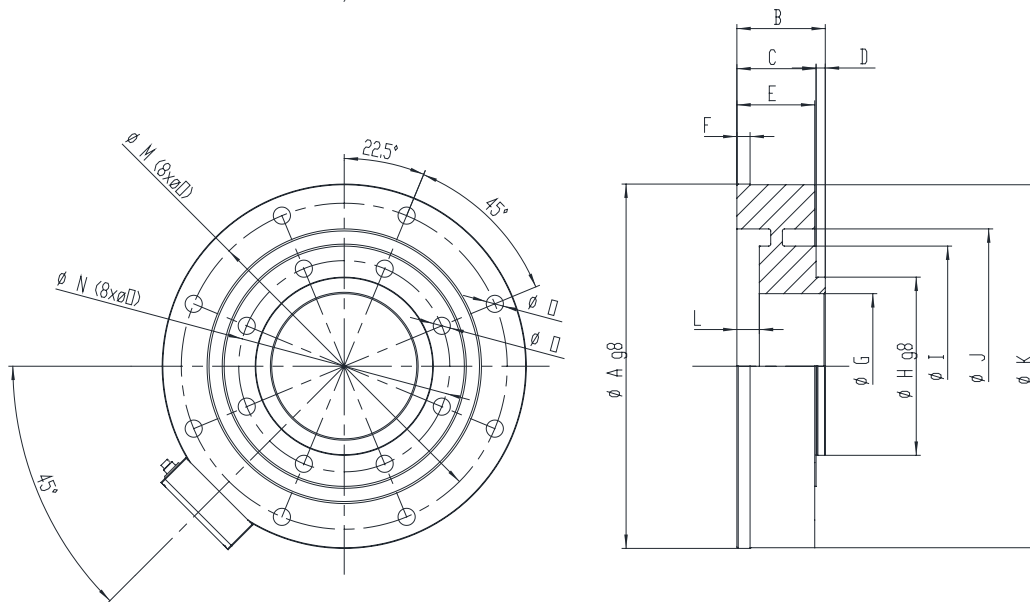
江门市利德电子有限公司

广东省江门市五邑碧桂园翠山聆水二街68号 邮编: (zip)529000

电话: + 86 750 3289680 3289698 传真: + 86 750 3289699

http://www.leadersensors.com E-mail: leader@leadersensors.com

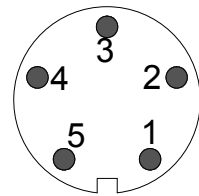
MECHANICAL DIMENSIONS



Rated capacity / Nennleistung	A	B	C	D	E	F	G	H	I	J	K	L	M	N	O
60kN	181	40	37	3	36	5	72	80	112	138	174	14	154	93	9
80kN	181	40	37	3	36	5	72	80	112	138	174	14	154	93	9
150kN	181	65	60	5	59	10	70	80	112	138	180	17	160	93	9
200kN	181	65	60	5	59	10	70	80	112	138	180	17	160	93	9
300kN	276	67	60	7	59	10	110	135	182	208	275	17	247	160	13
500kN	276	67	60	7	59	10	110	135	182	208	275	17	247	160	13
650kN	322	67	60	7	59	10	173	180	230	270	321	15	298	194	13

ELECTRICAL CONNECTIONS

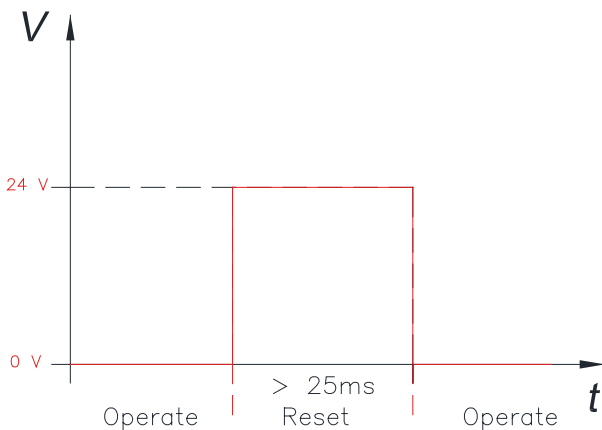
FUNCTION	CONNECTOR OUTPUT 09 0415 00 05 M9 X 5
+ 24V	1
GROUND	2
RESET	3
- SIG	4
+ SIG	5



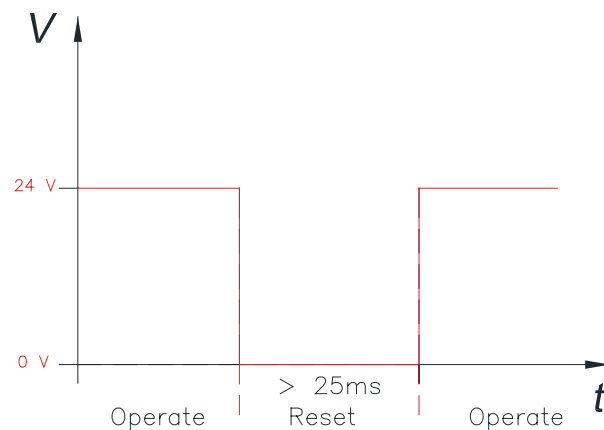
1 Exc +
2 Exc -
3 Reset
4 Sig -
5 Sig +

RESET FUNCTION

Reset control input	Reset	14...28V
	Operate	0V/open
Minimum reset pulse duration	> 25 ms	



Reset control input	Reset	0V
	Operate	5...28V/open
Minimum reset pulse duration	> 25 ms	



江门市利德电子有限公司

广东省江门市五邑碧桂园翠山岭水二街68号 邮编: (zip)529000

电话: + 86 750 3289680 3289698 传真: + 86 750 3289699

http://www.leadersensors.com E-mail: leader@leadersensors.com

ORDER CODE

Diaphragm load cell

DLCA - VDA



Amplifier	
Digital amplifier VDA	VDA

Measurement range	
60 kN	0060
80 kN	0080
150 kN	0150
200 kN	0200
300 kN	0300
500 kN	0500
650 kN	0650

Electrical Connection	
Connector M9 x 5	D

Output signal	
0...±10VDC	V
4...20mA	I

RESET	
External reset (24V), without power-on reset (5·10 ⁵ reset cycles allowed)	HO
External reset (24V), with power-on reset (infinite reset cycles allowed)	HR
External reset (0V), without power-on reset (5·10 ⁵ reset cycles allowed)	LO
External reset (0V), with power-on reset (infinite reset cycles allowed)	LR
Static (no external reset)	ST

Example: **DLCA-VDA-0080-D-V-HR**

Diaphragm load cell, measurement range 0-80 kN and 0-10Vdc signal, with connector M9 and external reset (24V).

江门市利德电子有限公司

广东省江门市五邑碧桂园翠山聆水二街68号 邮编: (zip)529000

电话: +86 750 3289680, 3289698 传真: +86 750 3289699

http://www.leadersensors.com E-mail: leader@leadersensors.com